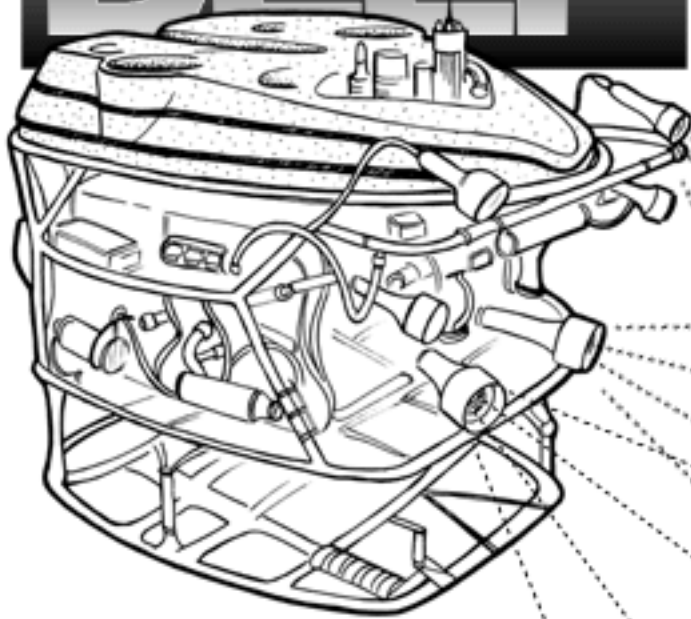


MYSTERIES OF THE DEEP



Creature Key

1. Ocean sunfish

Disc-shaped ocean sunfish grow to almost 12 feet in diameter; at that size, they'll weigh over two tons.

2. Yellowfin tuna

Torpedo-shaped and with powerful muscles, tuna can sprint with bursts of speed up to 40 miles per hour.

3. Thresher shark

The 16-foot-long thresher shark feeds by swimming into schools of fish and stunning them with smacks of its long tail.

4. Pacific viperfish

In the dark, other fishes can't see the viperfish's fanglike teeth. With its jaws wide open, its mouth becomes an unseen trap.

5. Hatchetfish

A hatchetfish's tubular eyes stare straight up. Its large mouth points upward too, ready to snap up food that passes by.

6. Midwater jelly

These tiny, purple-colored jellies pulse through the water, snaring tiny fishes and other small animals.

7. Black swallower

Food is scarce in the deep sea. Fish like these, with expandable bellies, can swallow prey twice their size.

8. Vampire squid

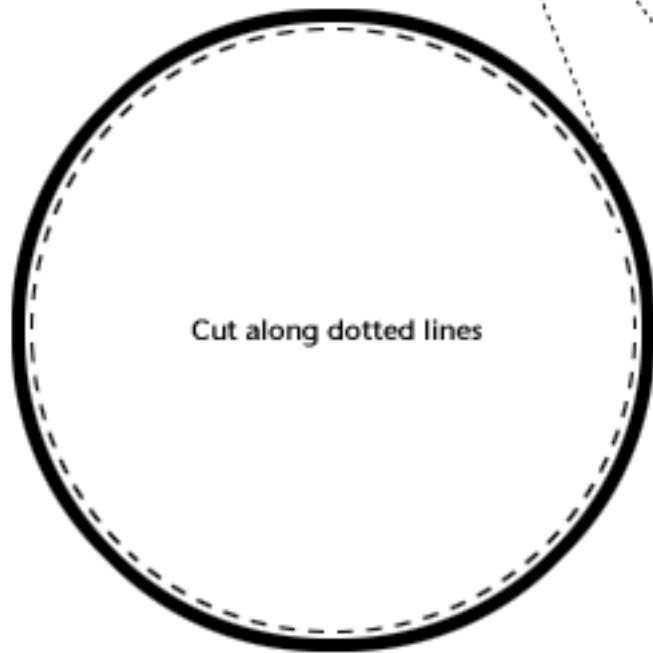
Squid or octopus? The vampire squid is some of each. We're just beginning to find out about this mysterious creature.

9. Anglerfish

Female anglers fish with a lighted fin. The "bait" lures fishes close to her mouth—with a gulp she swallows her prey.

10. Sea cucumber

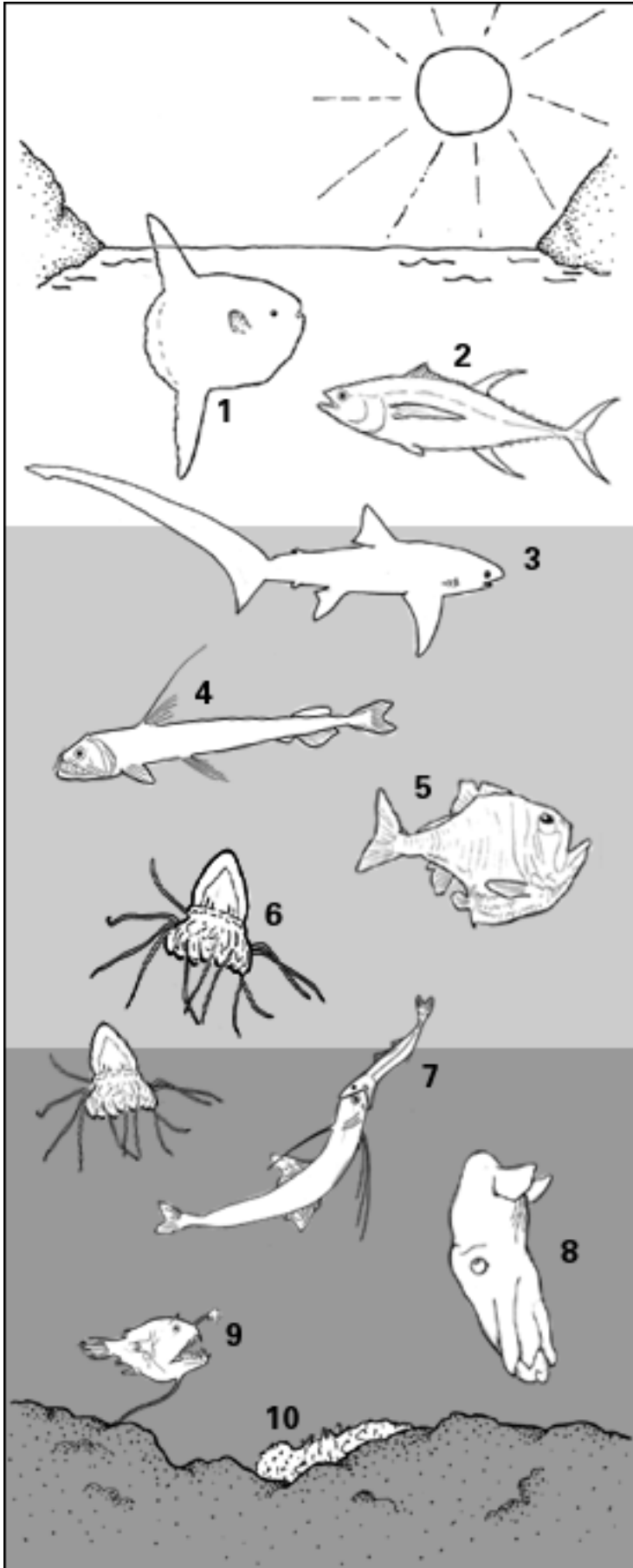
A cucumber stuffs its sticky tentacles into its mouth and slurps off a mixture of mud and tiny bits of food.



Fold along this line

See what the Remotely Operated Vehicle sees as it dives deep in Monterey Canyon.

Cut along dotted lines



Deep Sea Creature Panel

Directions

1. Color the deep sea creatures and the ROV.
2. Fold the deep sea creature panel along the center line.
3. Cut out the round ROV window on the creature key.
4. Fold the creature key along the center line.
5. Slide the creature panel into the space created. Slide up and down to see what the ROV sees as it dives in Monterey Canyon.

Enjoy!