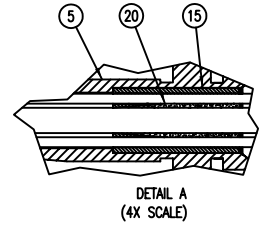
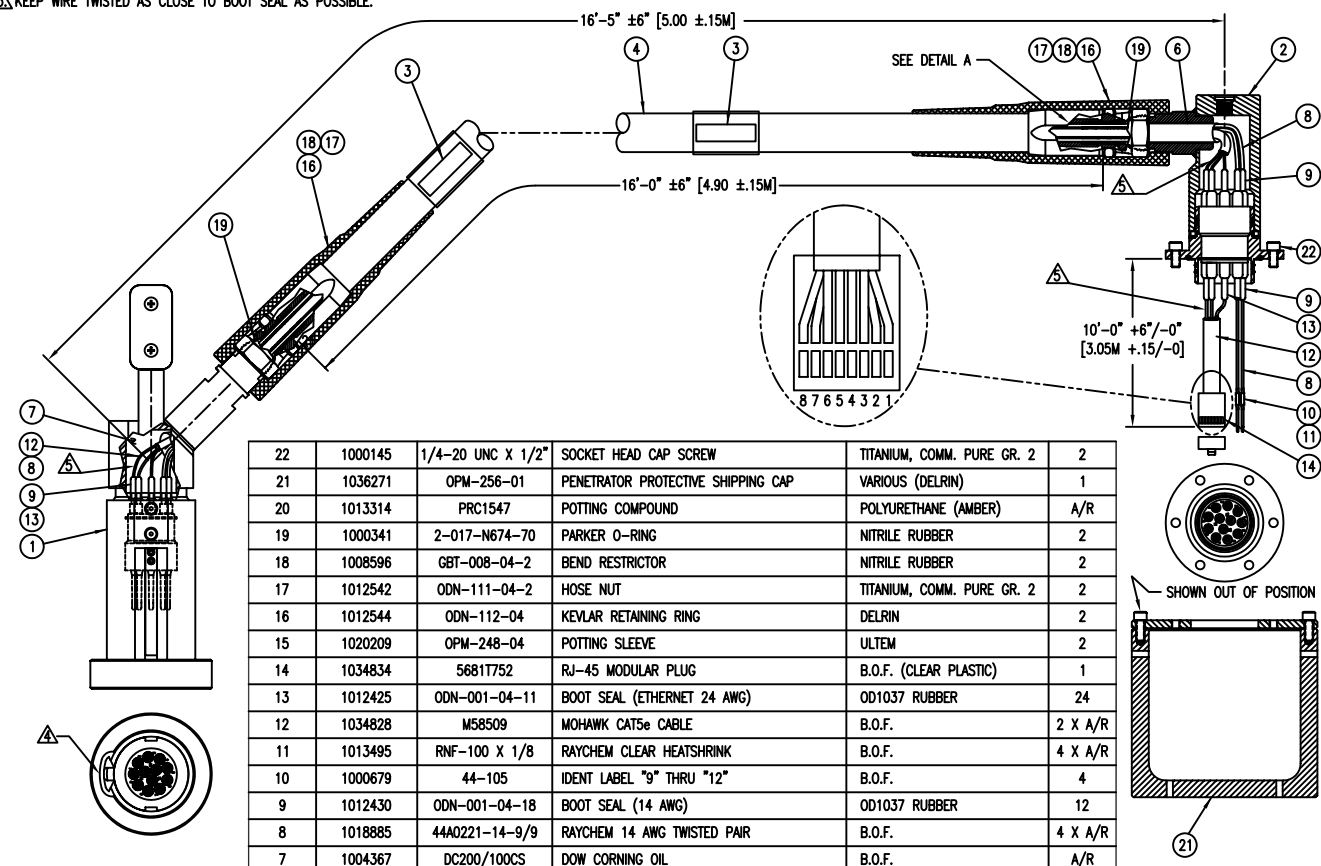


- NOTES:
1. DO NOT SCALE FROM DRAWING.
 2. FOR BULKHEAD PENETRATOR OUTLINE/INTERFACE DIMENSIONS SEE DRAWING 56964 (CTD-1404-03).
 3. FOR FLYING ROV PLUG OUTLINE/INTERFACE DIMENSIONS SEE DRAWING 14340 (ROV-225-03).
- ⚠ KEYWAY LOCATED 180° FROM THE HOSE EXIT.
 ⚠ KEEP WIRE TWISTED AS CLOSE TO BOOT SEAL AS POSSIBLE.

UNCONTROLLED COPY
 COPY FOR INFORMATION ONLY
 WILL NOT BE KEPT UP TO DATE
 APPROVAL TO ISSUE RAN DATE 11/23/04

REVISION	DESCRIPTION	DATE	APPROVED
A	CO 7248 INITIAL ISSUE	6-18-04	HEP
B	CO 7824	6-24-04	HEP
C	CO 8371	7-29-04	HEP
D	CO 8443	8-19-04	HEP
E	CO 8563	8-28-04	HEP
F	CO 9054	11-11-04	HEP
G	CO 9116	11-22-04	HEP



22	1000145	1/4-20 UNC X 1/2"	SOCKET HEAD CAP SCREW	TITANIUM, COMM. PURE GR. 2	2
21	1036271	OPM-256-01	PENETRATOR PROTECTIVE SHIPPING CAP	VARIOUS (DELRIN)	1
20	1013314	PRC1547	POTTING COMPOUND	POLYURETHANE (AMBER)	A/R
19	1000341	2-017-N674-70	PARKER O-RING	NITRILE RUBBER	2
18	1008596	GBT-008-04-2	BEND RESTRICTOR	NITRILE RUBBER	2
17	1012542	ODN-111-04-2	HOSE NUT	TITANIUM, COMM. PURE GR. 2	2
16	1012544	ODN-112-04	KEVLAR RETAINING RING	DELRIN	2
15	1020209	OPM-248-04	POTTING SLEEVE	ULTEM	2
14	1034834	5681T752	RJ-45 MODULAR PLUG	B.O.F. (CLEAR PLASTIC)	1
13	1012425	ODN-001-04-11	BOOT SEAL (ETHERNET 24 AWG)	OD1037 RUBBER	24
12	1034828	M58509	MOHAWK CAT5e CABLE	B.O.F.	2 X A/R
11	1013495	RNF-100 X 1/8	RAYCHEM CLEAR HEATSHRINK	B.O.F.	4 X A/R
10	1000679	44-105	IDENT LABEL "9" THRU "12"	B.O.F.	4
9	1012430	ODN-001-04-18	BOOT SEAL (14 AWG)	OD1037 RUBBER	12
8	1018885	44A0221-14-9/9	RAYCHEM 14 AWG TWISTED PAIR	B.O.F.	4 X A/R
7	1004367	DC200/100CS	DOW CORNING OIL	B.O.F.	A/R
6	1003196	CCPT3X	1/2" PET EXPANDABLE TUBING	B.O.F.	2 X A/R
5	1020212	ODN-133-04-4	MODIFIED HOSE FITTING	MONEL	2
4	1012416	ODHOSE-12-HBD-2	-12 HYDRAULIC HOSE	B.O.F.	1 X A/R
3	1013374	P-TOUCH-1/2"	LABEL "ODI S/N _____"	B.O.F.	2
2	1035398	CTD-305-01-12-6	12-WAY BULKHEAD PENETRATOR W/ R.A. JIC	VARIOUS (TITANIUM SHELL)	1
1	1020839	ROV-399-01	12-WAY FLYING ROV PLUG W/ 45° JIC	VARIOUS (TITANIUM SHELL)	1
ITEM	PART #	REF #	DESCRIPTION	MATERIAL	QTY

ALL DATA AND INFORMATION CONTAINED OR DISCLOSED BY THIS DOCUMENT IS CONFIDENTIAL AND PROPRIETARY INFORMATION OF OCEAN DESIGN, INC. AND ALL RIGHTS THEREIN ARE EXPRESSLY RESERVED. BY ACCEPTING THIS MATERIAL THE RECIPIENT AGREES THAT THE MATERIAL AND THE INFORMATION CONTAINED THEREIN IS HELD IN CONFIDENCE AND IN TRUST AND WILL NOT BE USED, COPIED, REPRODUCED IN WHOLE OR IN PART, NOR ITS CONTENTS REVEALED IN ANY MANNER TO OTHERS, EXCEPT TO MEET THE SPECIFIC PURPOSE FOR WHICH IT WAS DELIVERED.

UNLESS OTHERWISE SPECIFIED DIMENSIONS ARE IN INCHES. TOLERANCES AND ANGLES ± 1/2° FRACTIONS DECIMALS ± 1/64 ± .X = .05 ± .XX = .01 ± .XXX = .003 CONCENTRICITY .004 TIR SURFACE FINISH BREAK ALL UNRATED CORNERS R.05 INTERNAL CORNERS R.02 MAX THIRD ANGLE PROJECTION

ODI advanced technology systems
 OCEAN DESIGN, INC.
 www.odi.com

12-WAY FLYING ROV PLUG TO 12-WAY PENETRATOR
 GA DRAWING W/ PARTS LIST

APPROVALS: DRAWN TAS, CHECKED RHS, ENGR HEP, DESIGN HEP. DATE: 11-22-04.

SIZE B, SCALE HALF. CAGE CODE OVV88, DOC. NO. 59040, REV G. PART NO. 1033248, REF. NO. OPM-203-01. SHEET 1 OF 1.