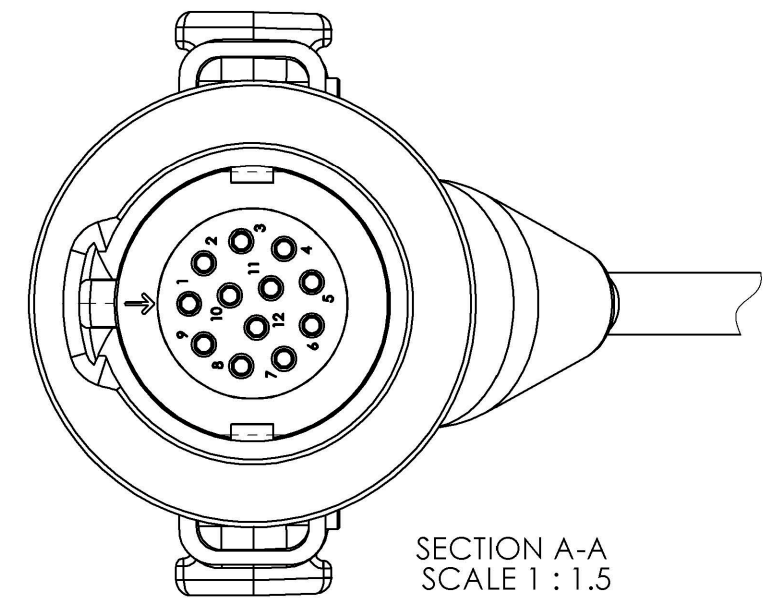
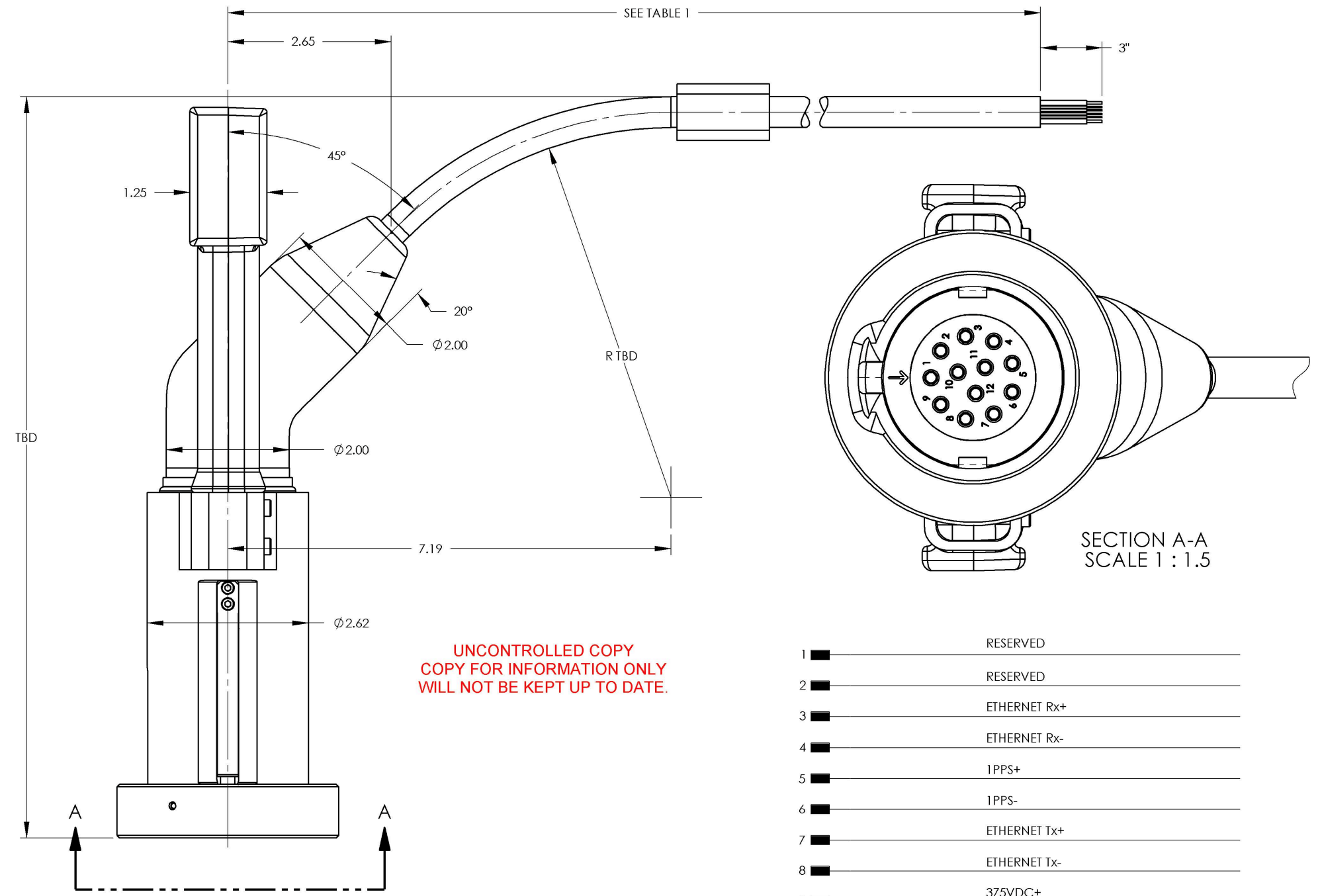
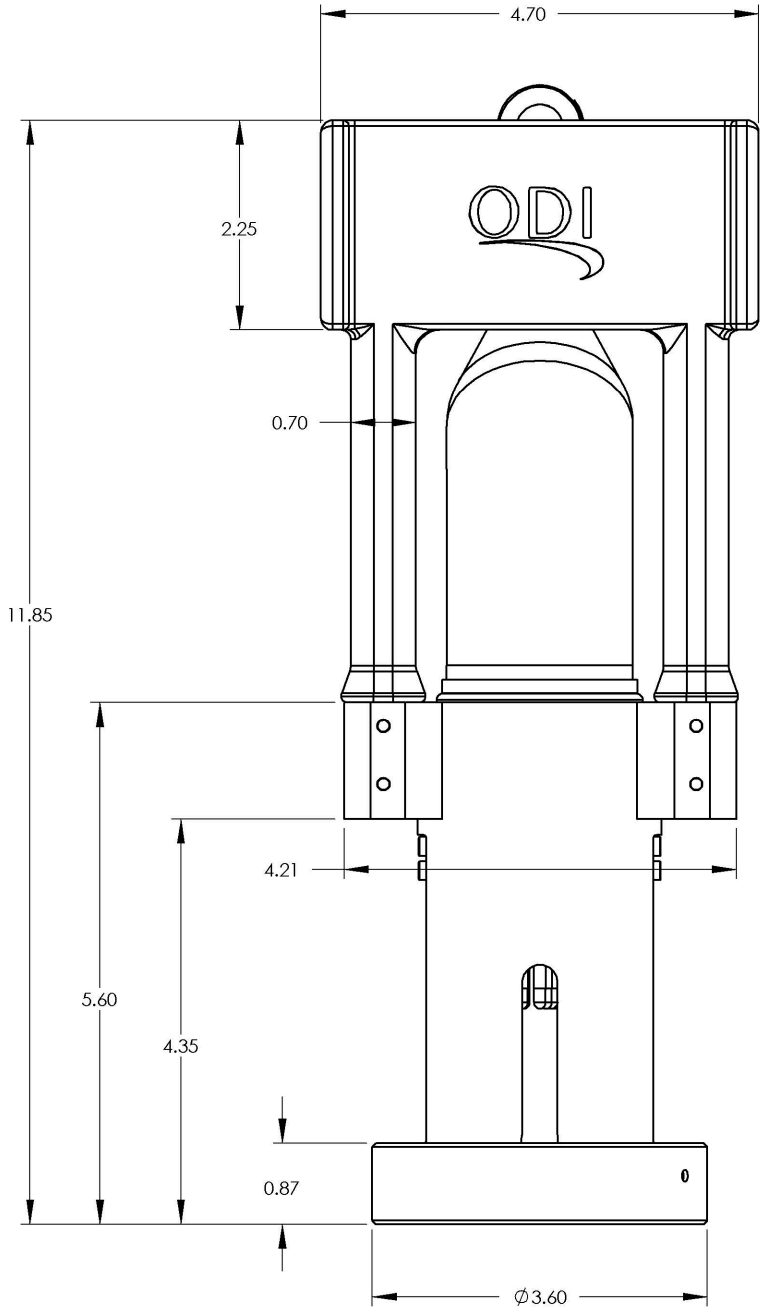


NOTES:
 1. DO NOT SCALE FROM DRAWING
 2. MATERIAL: SEE PARTS LIST

| REVISION | DESCRIPTION | DATE | APPROVED |
|----------|------------------------|------------|----------|
| A | CO 18976 INITIAL ISSUE | 05-08-2009 | HAF |



UNCONTROLLED COPY
 COPY FOR INFORMATION ONLY
 WILL NOT BE KEPT UP TO DATE.

| | |
|----|--------------|
| 1 | RESERVED |
| 2 | RESERVED |
| 3 | ETHERNET Rx+ |
| 4 | ETHERNET Rx- |
| 5 | 1PPS+ |
| 6 | 1PPS- |
| 7 | ETHERNET Tx+ |
| 8 | ETHERNET Tx- |
| 9 | 375VDC+ |
| 10 | 375VDC- |
| 11 | 48VDC+ |
| 12 | 48VDC- |

CIRCUIT DIAGRAM

ALL DATA AND INFORMATION CONTAINED OR DISCLOSED BY THIS DOCUMENT IS CONFIDENTIAL AND PROPRIETARY INFORMATION OF OCEAN DESIGN, INC. AND ALL RIGHTS THEREIN ARE EXPRESSLY RESERVED. BY ACCEPTING THIS MATERIAL THE RECIPIENT AGREES THAT THE MATERIAL AND THE INFORMATION CONTAINED THEREIN IS HELD IN CONFIDENCE AND IN TRUST AND WILL NOT BE USED, COPIED, REPRODUCED IN WHOLE OR IN PART, NOR ITS CONTENTS REVEALED IN ANY MANNER TO OTHERS, EXCEPT TO MEET THE SPECIFIC PURPOSE FOR WHICH IT WAS DELIVERED.

UNLESS OTHERWISE SPECIFIED DIMENSIONS ARE IN INCHES. TOLERANCES ARE:
 ANGLES: ± 1/2°
 FRACTIONS DECIMALS
 ± 1/64 ± .005
 ± .X ± .05
 ± .XX ± .01
 ± .XXX ± .003
 CONCENTRICITY .004 TIR
 SURFACE FINISH 63
 BREAK ALL UNMARKED CORNERS R.005
 INTERNAL CORNERS R.02 MAX
 THIRD ANGLE PROJECTION

ODI
 A Teledyne Majority Owned Company

| | | | |
|------------|------------|---------------------------|-----------------|
| APPROVALS | DATE | MARS CABLED CONNECTOR | |
| DRAWN MWW | 05-08-2009 | OUTLINE/INTERFACE DRAWING | |
| CHECKED MF | 05-08-2009 | SIZE B | CAGE CODE 0VV88 |
| ENGR WFM | 05-08-2009 | SCALE 1:2 | DOC. NO. 219694 |
| DESIGN | | PART NO. SEE TABLE 1 | REV A |
| | | REF. NO. OPM-326-03 | SHEET 1 OF 1 SW |