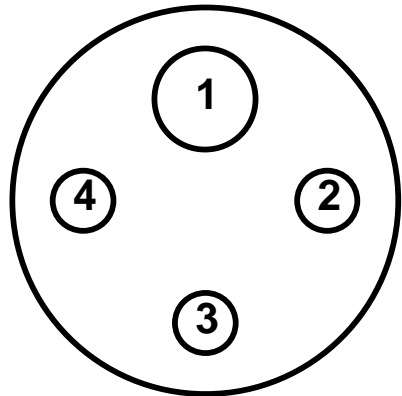
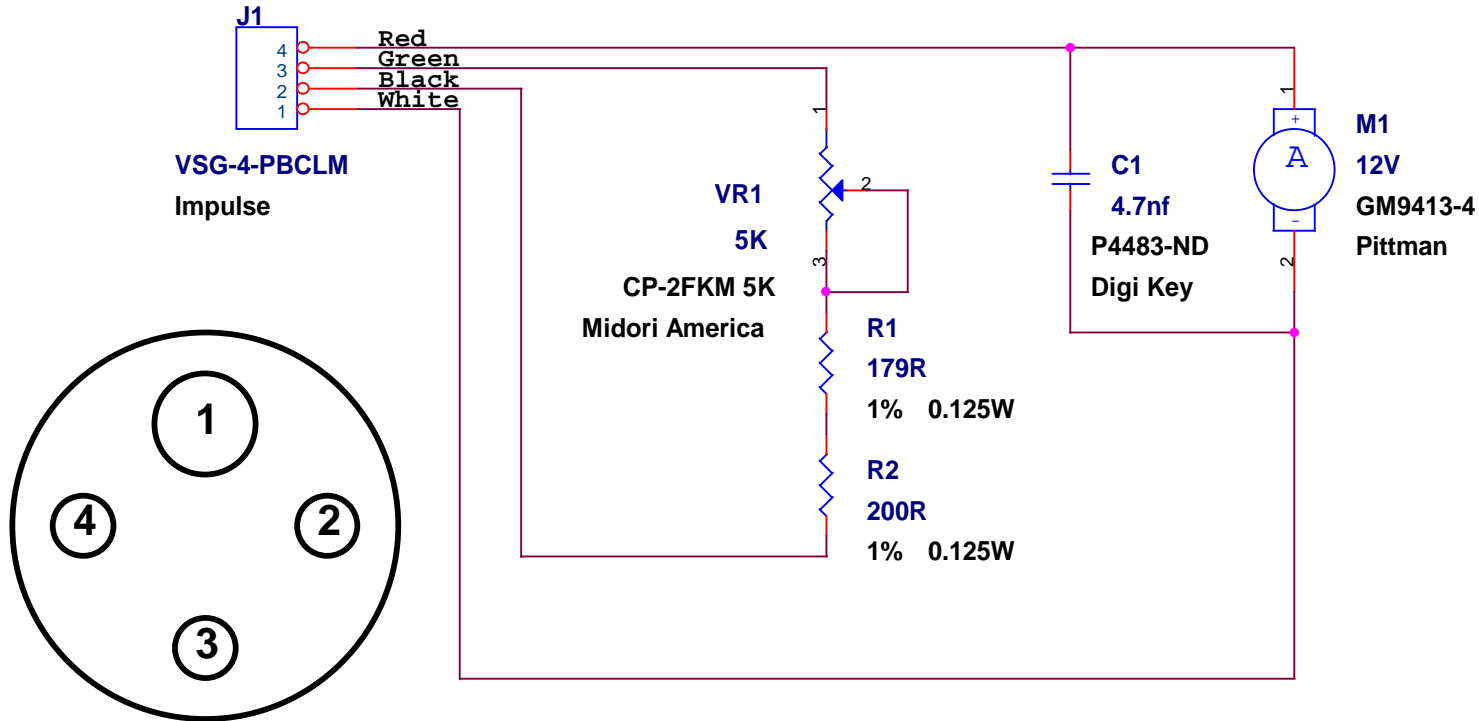


Setup procedure:

Adjust mechanical position of pot such that the resistance between J1,2 and J1,3 is 2879 ohms at the closed position of the paddles.



J1 connector pinout, face view

MONTEREY BAY AQUARIUM RESEARCH INSTITUTE
PO BOX 628
7700 SANDHOLDT ROAD
MOSS LANDING, CA 95039



Title Shutter Mechanism Wiring			Number 100614	
Size A	Engineer Dave Wright	Layout Handwired	Filename Shutter.dsn	Rev 2.00
Date: Friday, June 25, 1999		Sheet 1 of 1		